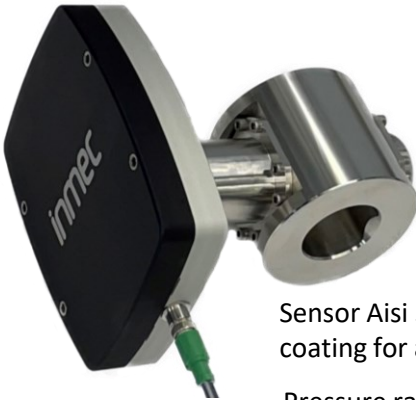


**Integrated sensor structure
Digital Microwave**



Sensor Aisi 316L
coating for abrasives

Pressure rating
25 Bar (380 PSI)

Measurement:

0-95% Total Solids, pumped slurries
For wide range of measuring applications
For dissolved and suspended solids

- Milk of Lime
- Organic slurries
- Mineral slurries, Kaolin, Talc, Calcium carbonate
- Sugar field soil
- Sugar syrup and molasses

Sensor inner diameters:

Model P2: 55 mm DN50 EN 1092-1 ; 2013
Model P4: 107 mm DN100 EN 1092-1 ; 2013
Model P6: 159 mm DN100 EN 1092-1 ; 2013



Single sensor cable
Length 10m
Connector ended

2 * 4 – 20 mA

← Sensor power 24VDC

Display Unit



Cellular Router



Tablet

- Windows 10
- Touch screen 8"
- In-built Cellular & Wifi
- All sensor tuning functions
- Manages all sensors of a mill

Power input, 24 VDC , 3 A

Solids-% 4–20 mA, (Active)

Temp. 4–20 mA, (Active)



Solids Display

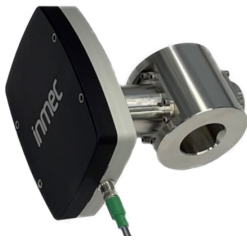
Tablet cable connector

Reset Button

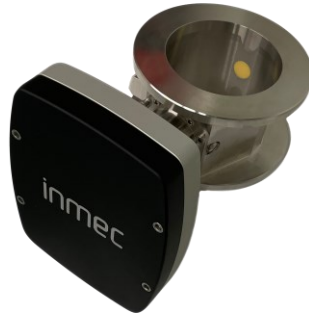
Remote / Local switch,

- * Remote: Enables remote access via Router, Optional
- Local: Disables Router. Used when Tablet connected

Model P2, DN50
EN 1092-1 ; 2013
Product code: E800063



Model P4, DN100
EN 1092-1 ; 2013
Product code: E800060



Model P6, DN150
EN 1092-1 ; 2013
Product code: E800059



Measurement

Operating power 24VDC, 3 Amps, Continuous 2 Amps
Microwave power 15 mW
Connection Sensor cable, 8 wire shielded.

Connectors Aisi316L

Process connection Bolt flange: P2, DN50/PN10-25
P4, DN100/PN25
P6, DN150/PN25

Materials

Sensor Sensor body, Aisi 316L
Housing Parts Aluminum, Anonized
Antennas Ceramic
Hard coating Sensor coating for abrasives, optional

Measuring range

Total Solids, 0-95%,
or as high as material can be pumped

Material Organic or inorganic slurries
Suspended and dissolved
Repeatability +/- 0.01 % concentration
Sensitivity +/-0.001% concentration
Resolution 0.01% concentration
Output filtering 1 – 300s
Output 1 Solids output. 4 – 20 mA, Active and Isolated
Max load 750 Ohm
Output 2 Temp. output. 4 – 20 mA, Active and Isolated.
Digital Input 24VDC for Line Run signal, Optional Relay output

Process conditions

pH range 3 – 14
Temperature 0 – 140 C
Pressure Minimum, Recommended min 1.5 bar to avoid free air
Maximum PN25, 380PSI
Conductivity Max. 13mS/cm

Environment

Temperature 0 – +60
Housing IP65
Vibration Max. 20 m/s² 10-2000Hz

Dimensions

Sensor Body:	OD, mm	ID, mm	kg
Model P2, DN50:	107	55	4.3
Model P4, DN100:	168	107	8.5
Model P6, DN150:	218	159	16

Installation Flange gap 99 mm, All models

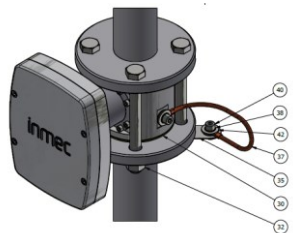
Signal processor

DSP

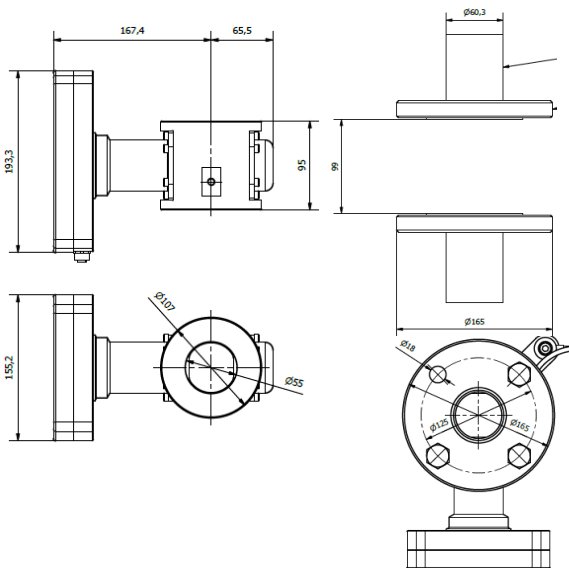
Display Unit

ABS Plastic
IP 65
Solids/Density Display
Connections:
* Operating Power 24 VDC
* Solids/Density output, 4 20mA, Max 750Ohm
* Temperature output, 4 20mA, Max 750Ohm
* Cellular Router, Optional

Model P2, DN 50

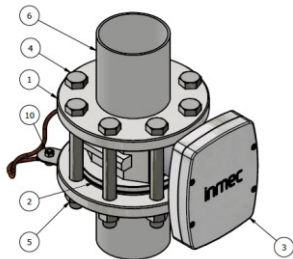


Item	Qty	Part nr	Rev	Description
29	2	DN50-PN25 EN 1092		Flange By Customer
30	2	DN50 DIN 2690		Gasket By Customer
31	4	ISO 4014 - M16 x 160		Hex-Head Bolt By Customer
32	4	ISO 4032 - M16		Hex Nut By Customer
33		Pipe DN50		By Customer
34	1	EB00048	v1.2	Inmec P2 Assembly
35	1	H800064	v1.0	P2 Grounding Connector
37	1	Grounding Cable		Length=250mm, holes=11.5mm, area MIN=22mm ²
38	2	DIN 6797 - J 8,4		Toothed Lock Washer
40	2	ISO 4762 - M8 x 16		Hexagon Socket Head Cap Screw
41	1	ISO 4032 - M8		Hex Nut
42	2	DIN 9021 - 8,4		Washer

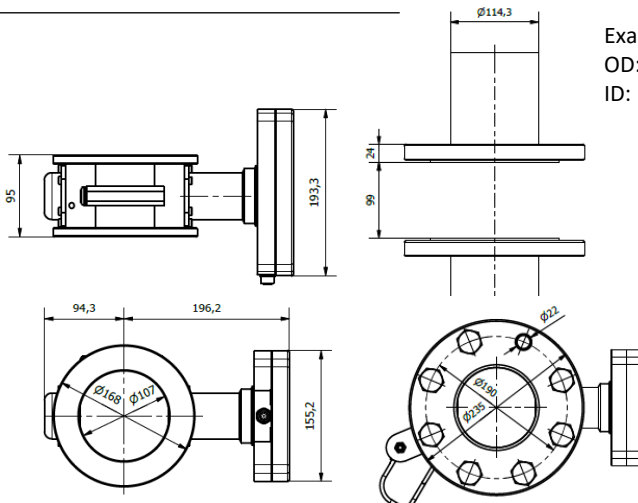


Example tube
OD: 60,3
ID: 54,5

Model P4, DN 100

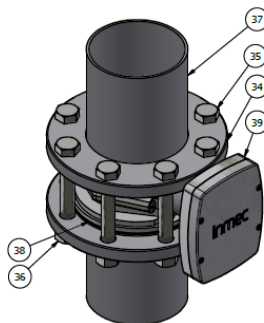


Item	Qty	Part nr	Rev	Description
1	2	Flange DN100-PN25 EN 1092		By Customer
2	2	Gasket DN100		By Customer
3	1	EB00061	v1.0	Inmec P4 DN100-PN40 Assembly
4	8	ISO 4014 - M20 x 180		Hex-Head Bolt By Customer
5	8	ISO 4032 - M20		Hex Nut By Customer
6	2	Pipe DN100		By Customer
7	1	H800065	v1.0	P4 Grounding Connector
9	1	Grounding Cable		Length=250mm, holes=11.5mm, area MIN=22mm ²
10	1	ISO 4032 - M8		Hex Nut
11	2	ISO 4762 - M8 x 16		Hexagon Socket Head Cap Screw
12	2	DIN 6797 - J 8,4		Toothed Lock Washer
13	2	DIN 9021 - 8,4		Washer

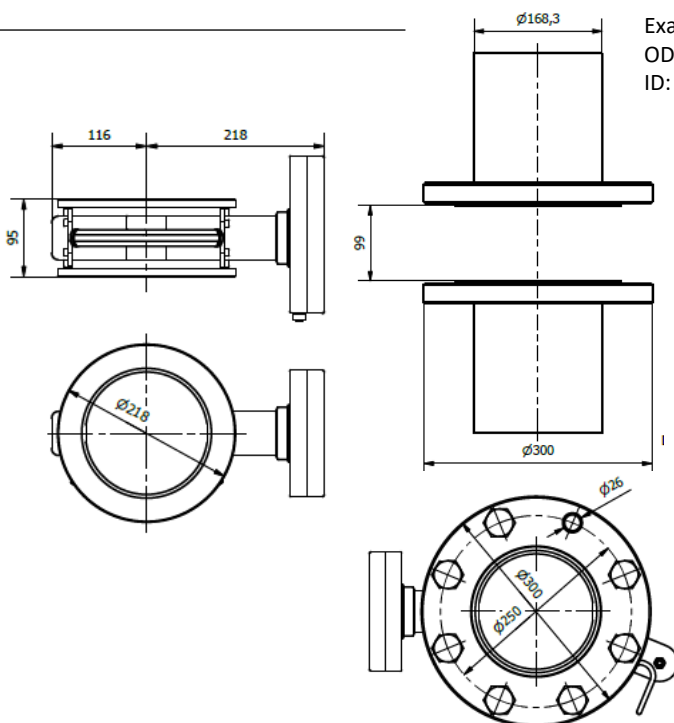


Example tube
OD: 114,3
ID: 107

Model P6, DN 150



Item	Qty	Part nr	Rev	Description
34	2	Flange DN150-PN25 EN 1092		By Customer
35	8	ISO 4014 - M24 x 180		Hex-Head Bolt By Customer
36	8	ISO 4032 - M24		Hex Nut By Customer
37	2	Pipe DN150-PN25		By Customer
38	2	Gasket DN150		By Customer
39	1	EB00059	v1.0	Inmec G2 DN150-PN40 Assembly
40	1	H800066	v1.0	P4 Grounding Connector
44	1	Grounding Cable		Length=250mm, holes=11.5mm, area MIN=22mm ²
46	1	DIN 912 - M8 x 16		Cylinder Head Cap Screw
47	1	ISO 4762 - M8 x 12		Hexagon Socket Head Cap Screw
49	2	DIN 6797 - J 8,4		Toothed Lock Washer
50	1	ISO 4032 - M8		Hex Nut
51	2	DIN 9021 - 8,4		Washer



Example tube
OD: 168,3
ID: 159,3