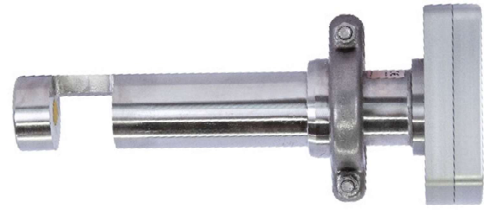
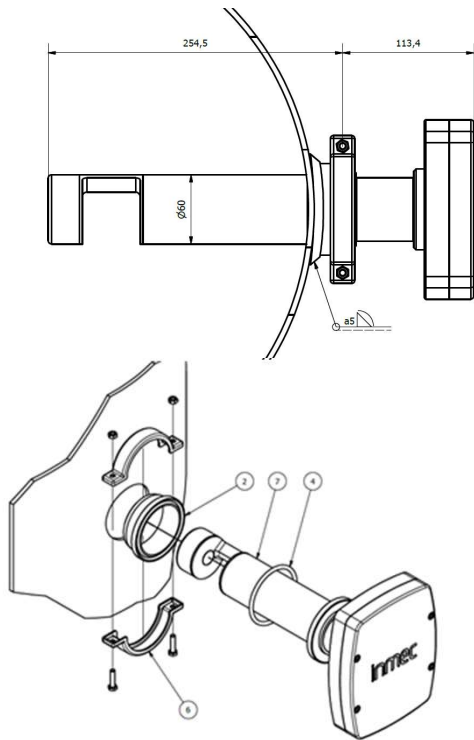


Standard Model IL assembly

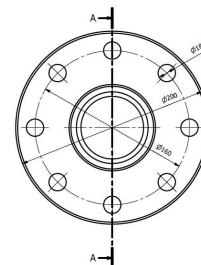
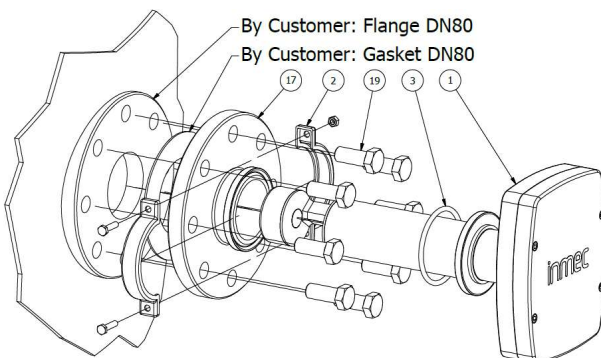
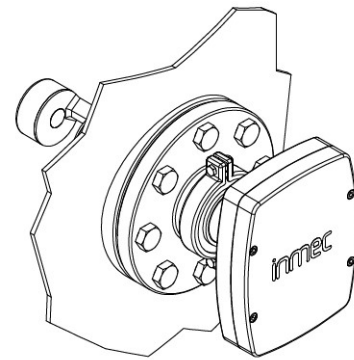
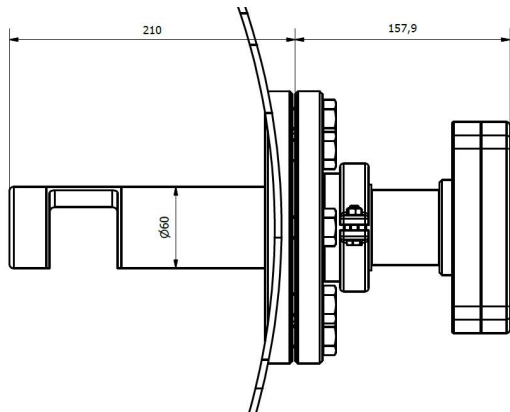


Model IL Union-L quick coupling,
Pressure rating: 10 Bar
**Note: Assembly with adapters
follow 10 bar rating**

Item		Qty	Part nr	Rev	Description
2		1	Union-L 76.1x2.9 Ring		
4		1	O-ring		75x5mm NBR (option: Viton)
6		1	J1720		Rst Clamp Set 76,1
7		1	E700084	v1.1	Inmec-IL-Union-L Sensor & Box Assembly
Material		Mass	Volume	Area	Project
Designed by		Checked by	Approved by	Date	Date
PRa					3.11.2020
inmec		Inmec-IL-Union-L S-Installation		Revision	
Instruments Ltd		Part number		Revision	
		E700085		v1.1	
				Sheets	
				1 / 1	

Note! Item 2 available with extended length for reduced probe insertion

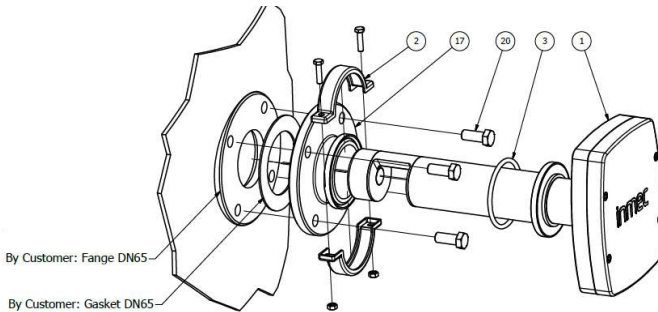
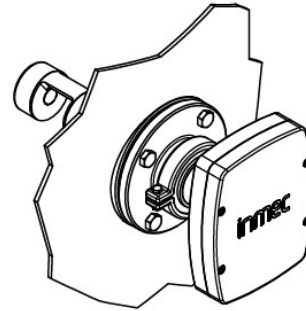
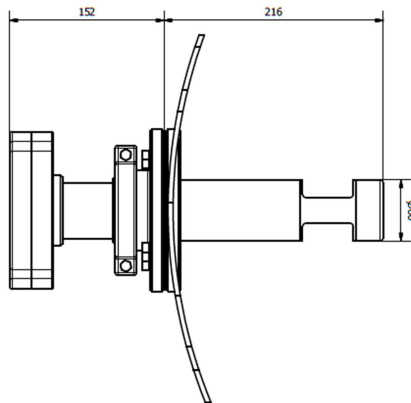
Model IL assembly
with Adapter DN80-PN10-16. Aisi 316L



Item		Qty	Part nr	Rev	Description
1		1	E700005	v1.4	Inmec IL Union-L Sensor Unit Assembly
2		1	J1720		Rst Clamp Set 76,1
3		1	O-ring		75x5mm NBR (option: Viton)
17		1	H700131	v1.0	Adapter DN80 PN10-16 Union-L
19		8	ISO 4017 - M16 x 40		Hex-Head Bolt
Material		Mass	Volume	Area	Project
Designed by		Checked by	Approved by	Date	Date
PRa					5.11.2020
inmec		Model IL DN80-PN10-16 With Adapter Mounting		Revision	
Instruments Ltd		Part number		Revision	
		E700130		1.0	
				Sheets	
				1 / 1	

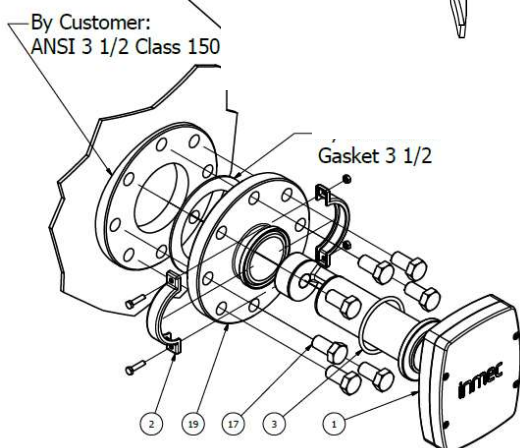
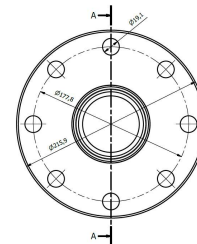
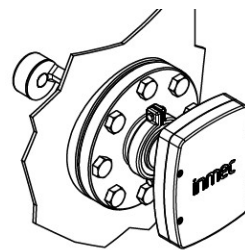
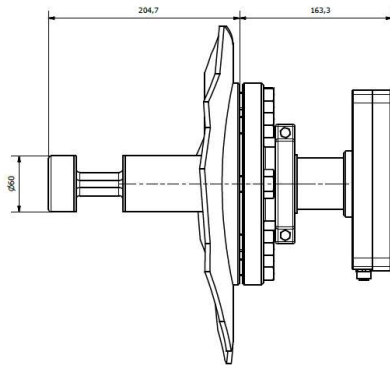
Note! Item 17 available according to other Standard or customized sizing

**Model IL assembly
with Adapter DN65-PN6. Aisi 316L**



		Part list				
Item	Qty	Part nr	Rev	Description		
1	1	E700005	v1.5	Inmec IL Union-L Sensor Unit Assembly		
2	1	J1720		Rst Clamp Set 76,1		
3	1	O-ring		75x5mm NBR (option: Viton)		
17	1	H700133	v1.0	Adapter inmec-DN65 PN6		
20	4	ISO 4017 - M12 x 30		Hex-Head Bolt		
Material		Mass	Volume	Area	Project	
Designed by PRa		Checked by	Approved by	Date	Date	Project
				27.1.2021		
		Title				
		Model IL DN65-PN6 With Adapter Mounting				
		Part number	Revision	Sheets		
		E700134	1.0	1 / 1		

**Model IL assembly
with Adapter Ansi 31/2 Class 150. Aisi 316L**



		Part list				
Item	Qty	Part nr	Rev	Description		
1	1	E700005	v1.4	Inmec IL Union-L Sensor Unit Assembly		
2	1	J1720		Rst Clamp Set 76,1		
3	1	O-ring		75x5mm NBR (option: Viton)		
17	8	ISO 4017 - M18 x 35		Hex-Head Bolt		
19	1	H700126	v1.1	Adapter ANSI 3.5 Class 150-Union-L		
Material		Mass	Volume	Area	Project	
Designed by PRa		Checked by	Approved by	Date	Date	Project
				3.11.2020		
		Title				
		Model IL with Adapter ANSI3.5-ANSI-Class 150				
		Part number	Revision	Sheets		
		E700116	v1.1	1 / 1		