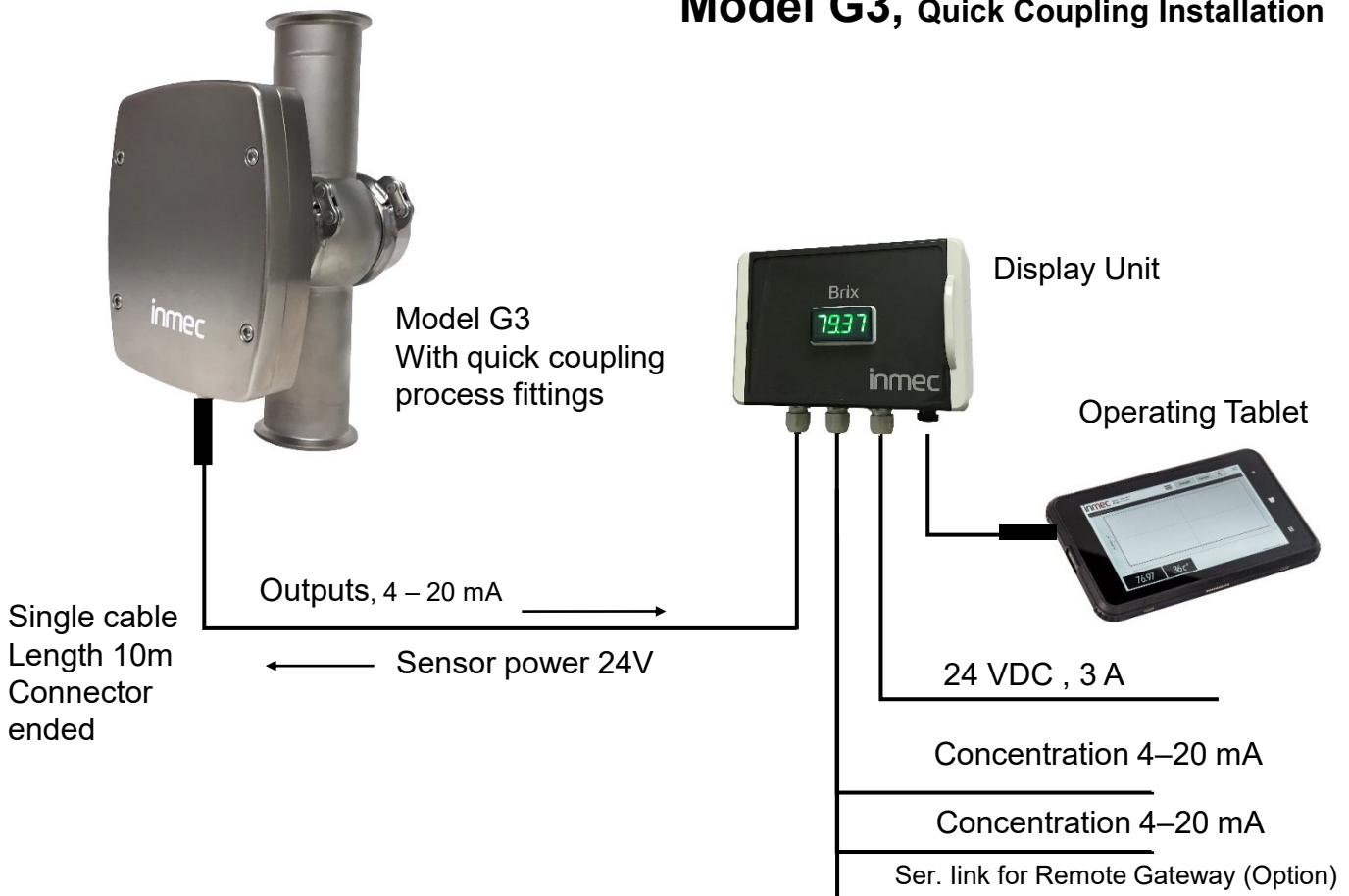


Model G3, Quick Coupling Installation



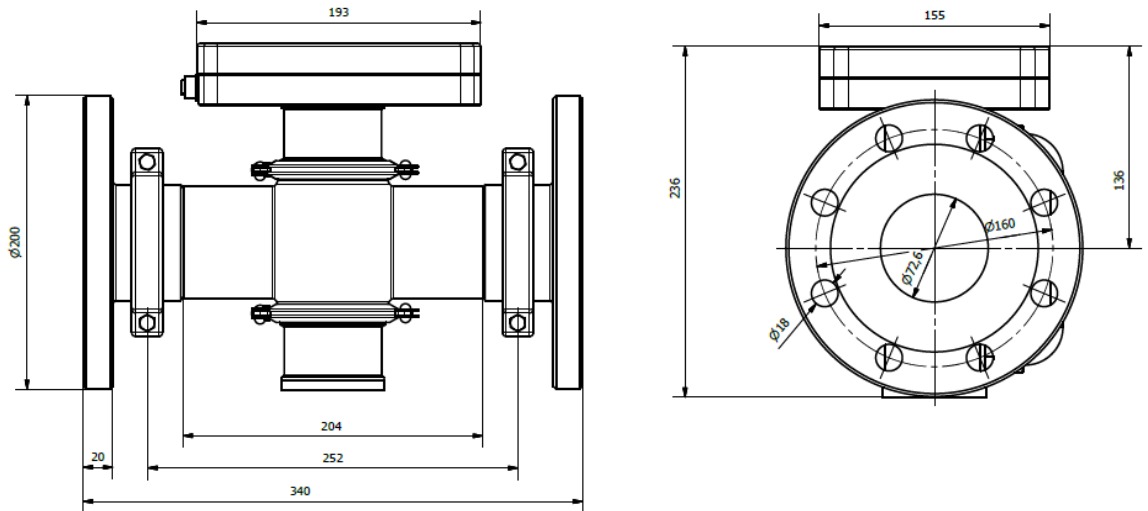
Display unit features

- Numeric display for °Bx, Density °Be or %-Concentration
- 4-20 mA Outputs, Active
- Remote Gateway access (Option)
- 24V power supply for the sensor
- Interface to the Operating Tablet

Tablet

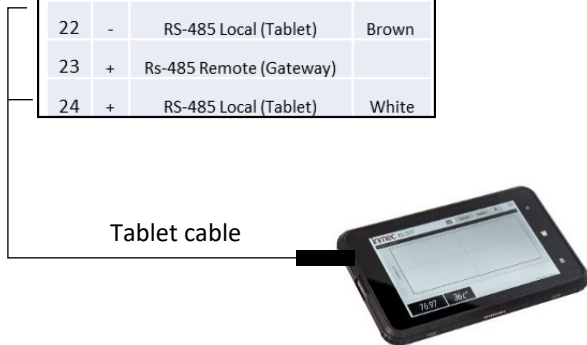
- Windows 10
- Touch screen 8"
- Rugged
- In-build GSM
- All sensor tuning functions
- Manages all sensors of a mill

Sensor Model G3, With DN80/PN16 bolt flange Adapters



Display Unit, Wire connections

Tablet and Remote CONNECTIONS			
X2			
21	-	Rs-485 Remote (Gateway)	
22	-	RS-485 Local (Tablet)	Brown
23	+	Rs-485 Remote (Gateway)	
24	+	RS-485 Local (Tablet)	White



Power and I/O CONNECTIONS			
X1			
11	+	24 VDC Main Power	To fuse
12	-	24 VDC Main Power	Blue
13	+	24 VDC to sensor	Red
14	+	Brix, 4-20 mA output Active	Pink
15	-	Brix, 4-20 mA output Active	Grey
16	+	Temp, 4-20 mA output Active	Green
17	-	Temp, 4-20 mA output Active	Yellow
18		4-20 mA via display to X1;16	Grey

